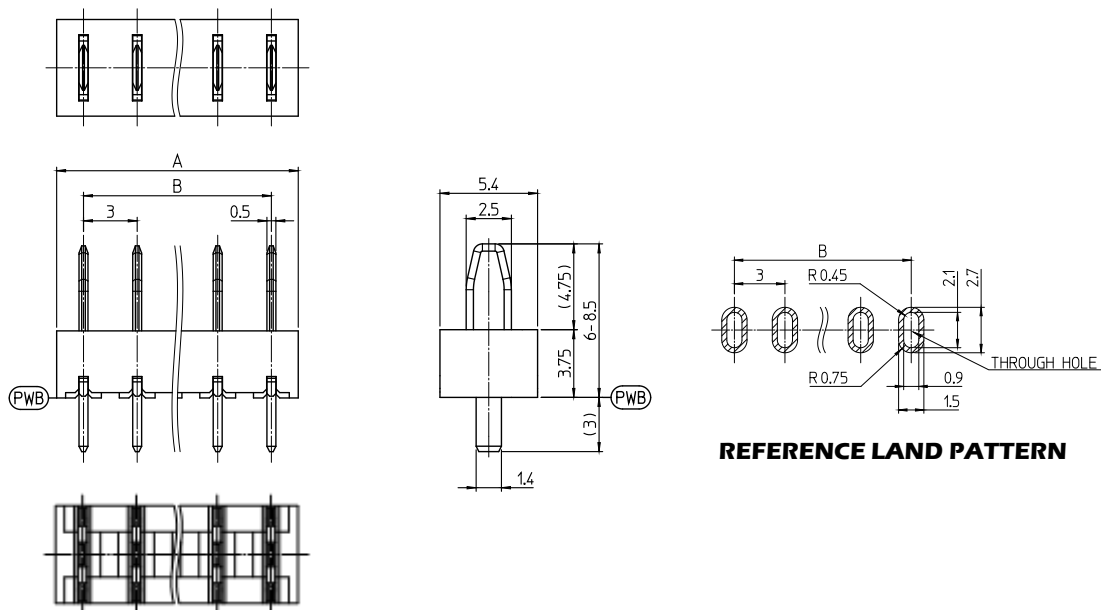


# Yokowo SPRING LOADED CONNECTOR

## Two Piece Blade Connector\_3-6Pin\_3.0mm Pitch\_Through Hole Series

### Basic Specification

**Rated Current :** AC/DC 12V, 3A  
**Contact Resistance :** 30mΩ MAX  
**Operational Temp. :** -40°C~+85°C  
**Operational Durability :** 2,000cycles  
**Floating Amount :** ± 0.5mm



Number of Contact	Rated Current	Dim.(mm)			Part Number	Compatible Product
		Pitch	A	B		
3	3.0A	3.0	9.0	6.0	TBP-4725F-3-30-0000	TBR-6632F-3-30-0000
4	3.0A	3.0	12.0	9.0	TBP-4725F-4-30-0000	TBR-6632F-4-30-0000
5	3.0A	3.0	15.0	12.0	TBP-4725F-5-30-0000	TBR-6632F-5-30-0000
6	3.0A	3.0	18.0	15.0	TBP-4725F-6-30-0000	TBR-6632F-6-30-0000

### Electrical Characteristic

**Rated Current :** AC/DC 12V, 3A  
**Contact Resistance :** 30mΩ MAX  
**Insulation Resistance :** 100M Ω MIN  
**Dielectric Strength :** 3mA (MAX) leakage

### Mechanical Characteristics

**Terminal pulling off force :** Apply 2N static load on the terminal in axis direction for 1minute.  
**Insertion force :** Measure the peak insertion force of initial condition.

## **Two Piece Blade Connector\_3-6Pin\_3.0mm Pitch\_Through Hole Series**

### **Other Characteristic**

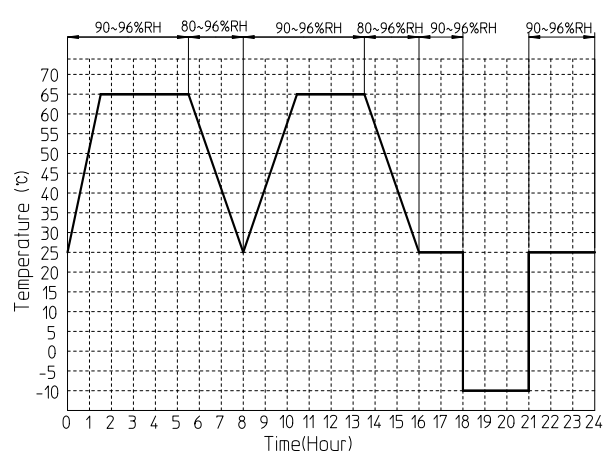
<b>Low Temp. Durability :</b>	<b>Store in temp <math>-40^{\circ}\text{C} \pm 3^{\circ}\text{C}</math> for 96 hours, then leaves in the ambient temperature for 1 hour.</b>
<b>High Temp. Durability :</b>	<b>Store in temp <math>+85^{\circ}\text{C} \pm 2^{\circ}\text{C}</math> for 96 hours, then leaves in the ambient temperature for 1 hour.</b>
<b>Humidity Durability :</b>	<b>Store in temp <math>+60^{\circ}\text{C} \pm 2^{\circ}\text{C}</math> with humidity of 90 to 95% for 96 hours, then leave in the ambient temperature for 1 hour.</b>
<b>Temp. And Humidity Cycle Test :</b>	<b>Repeat 10 continuous temperature and humidity cycles that shown on Fig 1, then leave in the ambient temperature for 1 hour.</b>
<b>Temp. Cycle Test :</b>	<b>Repeat 5 continuous temperature cycles that shown on Table 1, then leave in the ambient temperature for 1 hour.</b>
<b>Anti-corrosion(Salt Water Spray) :</b>	<b>Spay saline water for 48hours. (Density : <math>5 \pm 1\%</math> salt by weight, Temp : <math>35 \pm 2^{\circ}\text{C}</math>) After that, clean in lukewarm water and dry. Then leave in ambient temperature for 1 hour.</b>
<b>Vibration Test :</b>	<b>Connect each connector terminal in series and conducting 0.1A current. After that, apply the shock specified below. Amplitude : 1.5mm or 10G Sweeping cycle : 10~55~10Hz for 1min. Duration of test : 2hours for each of X, Y, Z axis.</b>
<b>Shock Test :</b>	<b>Connect each connector terminal in series and conducting 0.1A current. After that, apply the shock specified below. Acceleration rate : 50G(<math>490\text{m/s}^2</math>), half sine pulse Operation time : 11msec Duration : 3shocks in each X, Y, Z, axis both in negative and positive direction. (18shocks)</b>
<b>Soldering Heat Resistance :</b>	<b>Solder the each soldering terminal by soldering bit for the maximum of 3seconds at a temperature of 350degC.</b>

## Two Piece Blade Connector\_3-6Pin\_3.0mm Pitch\_Through Hole Series

**Table 1. Temperature Cycle**

Step	Temperature(°C)	Time(minites)
<b>1</b>	<b>-40 ± 3</b>	<b>30 - 35</b>
<b>2</b>	<b>5 - 35</b>	<b>10 - 15</b>
<b>3</b>	<b>85 ± 2</b>	<b>30 - 35</b>
<b>4</b>	<b>5 - 35</b>	<b>10 - 15</b>

**Fig 1. Temp. and Humidity Cycle**



- The specifications shown in this catalogue are subject to change without notice.
- Storage conditions: 35days max in room temperature