

## Two Piece Connector\_3-6Pin\_3.0mm Pitch\_Through Hole Series

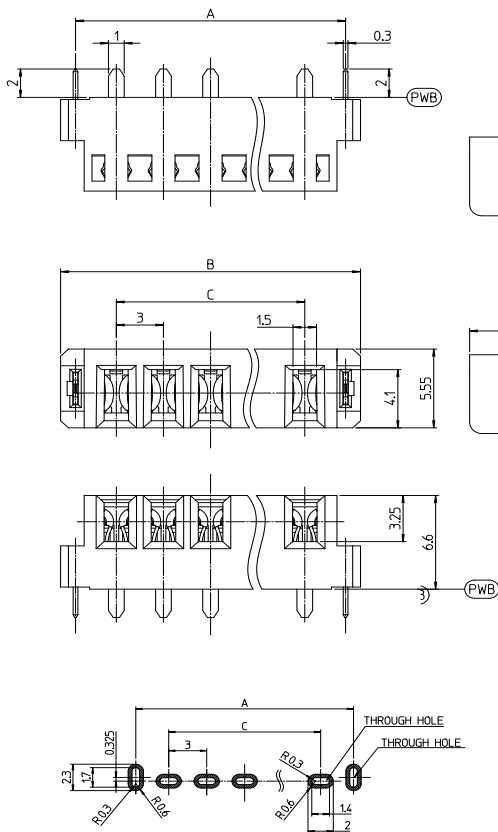
### Basic Specifications

- Rated Current : 3A
- Rated Voltage : AC/DC12V
- Contact Resistance: 30mΩmax
- Operation Temp. : -40°C~+85°C
- Floating Amount: ± 0.5mm
- Cycle Durability: 2,000 times

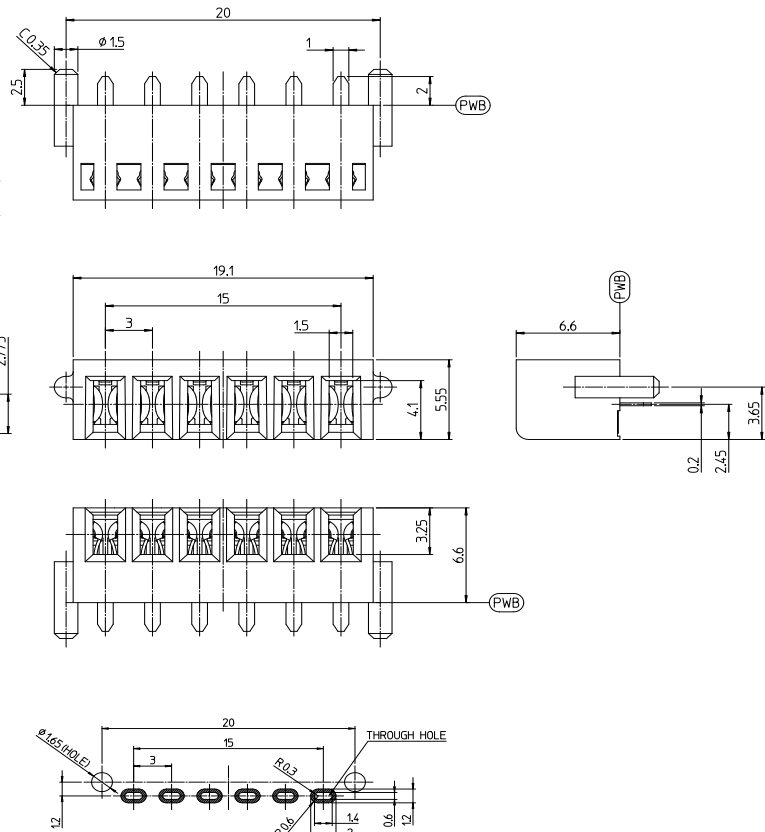
Number of Contact	Receptacle			
	A	B	C	Part Number
3-Pin	11.2	13.1	6	TBR-6632F-3-30-0000
4-Pin	14.2	16.1	9	TBR-6632F-4-30-0000
5-Pin	17.2	19.1	12	TBR-6632F-5-30-0000
6-Pin	20	19.1	15	TBR-6632F-6-30-0000

### Receptacle

#### 3-pin – 5-pin

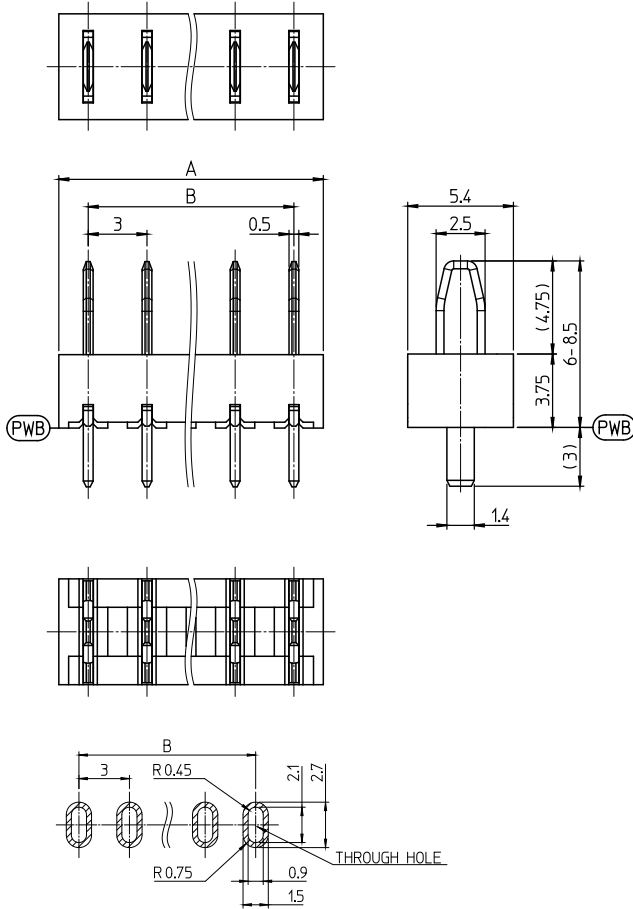


#### 6-pin



# Yokowo SPRING LOADED CONNECTOR

## Plug



Number of Contact	Plug		
	A	B	Part Number
3-Pin	9	6	TBP-4725F-3-30-0000
4-Pin	12	9	TBP-4725F-4-30-0000
5-Pin	15	12	TBP-4725F-5-30-0000
6-Pin	18	15	TBP-4725F-6-30-0000

### Electrical Characteristic

**Rated Current : AC/DC 12V 3A**  
**Contact Resistance : 30mΩ**  
**Insulation Resistance : 100M Ω MIN**  
**Dielectric Strength : 3mA (MAX) leakage**

### Mechanical Characteristics

**Terminal pulling off force: Apply 2N static load on the terminal in axis direction for 1 minute**

**Insertion force: Measure the peak insertion force of initial condition**

### Other Characteristic

**Operational Durability : 2,000 cycles**

**Low Temp. Durability : Store in temp.  $-40^{\circ}\text{C} \pm 3^{\circ}\text{C}$  for 96 hours then ,leaves in the ambient temp. for 1 hour**

**High Temp. Durability: Store in temp.  $+85^{\circ}\text{C} \pm 2^{\circ}\text{C}$  for 96 hours then ,leaves in the ambient temp. for 1 hour**

**Humidity Durability : Store in temp.  $+60^{\circ}\text{C} \pm 2^{\circ}\text{C}$  with humidity of 90~95% for 96 hours**

**Temp. Cycle Test : Repeat 5 continuous temperature cycles that shown on Table1, then leave in the ambient temperature for 1 hour**

## Other Characteristic

**Temp. and humidity cycle test:** Repeat 10 continuous temperature and humidity cycles that shown on Fig.1, then leave in the ambient temperature for 1 hour.

**Anti-corrosion (Salt Water Spray) :** Spray saline water for 48 hours (Density:  $5 \pm 1\%$  salt spray by weight, Temp: $25 \pm 2^{\circ}\text{C}$ ) After that clean in lukewarm water and dry. Then leave in ambient temperature for 1 hours

**Vibration Test :** Connect each connector terminal in series, conducting current of 0.1A. After that apply vibration specified below.  
 \* Amplitude 1.5mm or 10G  
 \* Sweeping cycle 10~55~10Hz/minute,  
 \* Duration of test: 2hours for each of X,Y,Z axis

**Shock Test :** Connect each connector terminal in series, conducting current of 0.1A. After that , apply vibration specified below.  
 \* Acceleration rate: 50G(490m/s<sup>2</sup>) half sine pulse  
 \* Operating time of the test: 1 ms  
 \* Duration: \*3 shocks in each X,Y,Z axis both in negative and positive direction(18 shocks)

**Soldering Heat Resistance: (Hand soldering):** Solder the each soldering terminal by soldering bit for the maximum of 3 seconds at temperature of 350 deg C

- The specifications shown in this catalogue are subject to change without notice.
- Storage conditions: 35days max in room temperature

**Table 1. Temperature Cycle**

Step	Temperature(°C)	Time(minites)
1	-40 ± 3	30 - 35
2	5 - 35	10 - 15
3	85 ± 2	30 - 35
4	5 - 35	10 - 15

**Fig 1. Temp. and Humidity Cycle**

