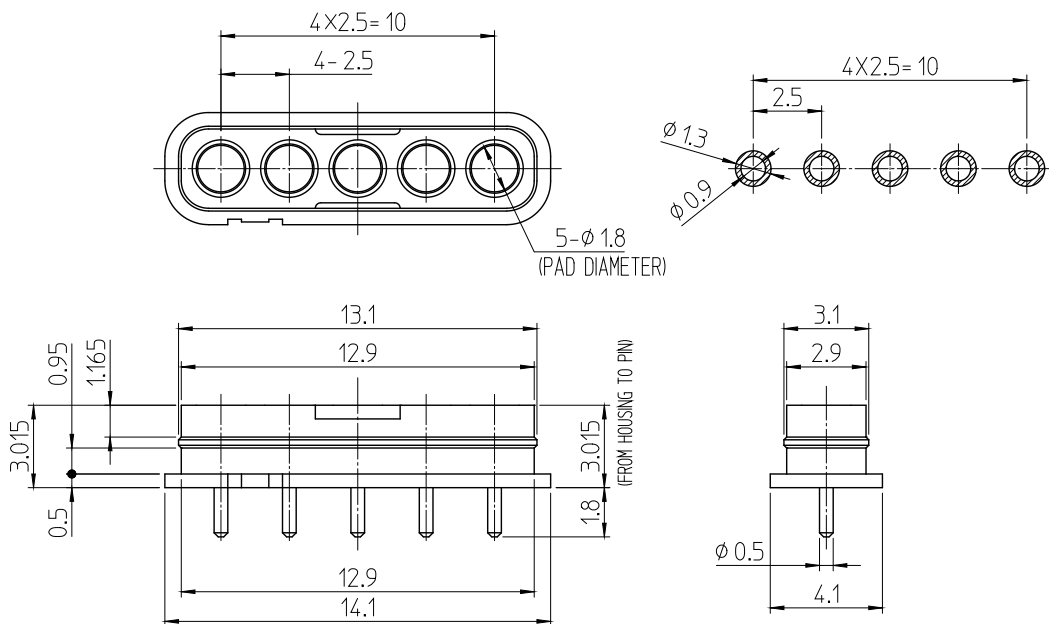


Mating Pad_5Pin_2.5mm Pitch_Through Hole_Water Proof Series

Basic Specification

Part Number : S-J-2200XL-5-25-0000
Rated Current : AC/DC 12V 2A
Operation Temp. : -40°C~+85°C
Waterproof Rating : IPX7



Electrical Characteristic

Rated Current : AC/DC 12V 2A
Contact Resistance : 50mΩ MAX
Insulation Resistance : 100M Ω MIN
Dielectric Strength : 3mA (MAX) leakage

Mechanical Characteristics

Pin Pulling Force : 4.9N force on a pin from axis direction for 1min.

Other Characteristic

Low Temp. Durability : Store in temp -40°C ± 3°C for 96 hours, then leaves in the ambient temperature for 1 hour.

High Temp. Durability : Store in temp +85°C ± 2°C for 96 hours, then leaves in the ambient temperature for 1 hour.

Humidity Durability : Store in temp +60°C ± 2°C with humidity of 90 to 95% for 96 hours, then leave in the ambient temperature for 1 hour.

Temp. Cycle Test : Cycle 5times (Table 1 shows test condition for 1 cycle). Leave in the ambient temp for 1 hour.

Temp. And Humidity Cycle Test : Operate cycle test 10times. (Fig1) Then leave in the ambient temp for 1 hour. The other issues are in conformity to JIS C60069-2-38.

Mating Pad_5Pin_2.5mm Pitch_Through Hole_Water Proof Series

Other Characteristic

Anti-corrosion(Salt Water Spray) : The electrical performance shall be measured after continuous spray of salt water with $5 \pm 1\%$ density and $35 \pm 2^\circ\text{C}$ temperature for 48hours, cleaning with lukewarm water and dry, and leaving in ambient temperature for 1hour.

Heat Resistance: The electrical performance shall be measured in ambient temperature after soldering in accordance with the reflow profile Fig.2.

Waterproof Test(IPX7) : After expose in reflow(Refer to Fig3), set a connector with the testing fixture(Refer to Fig3) and submerge in water at 1m depth for 30min.

Table 1. Temperature Cycle

Step	Temperature($^\circ\text{C}$)	Time(minites)
1	-40 ± 3	30 - 35
2	5 - 35	10 - 15
3	85 ± 2	30 - 35
4	5 - 35	10 - 15

Fig 1. Temp. and Humidity Cycle

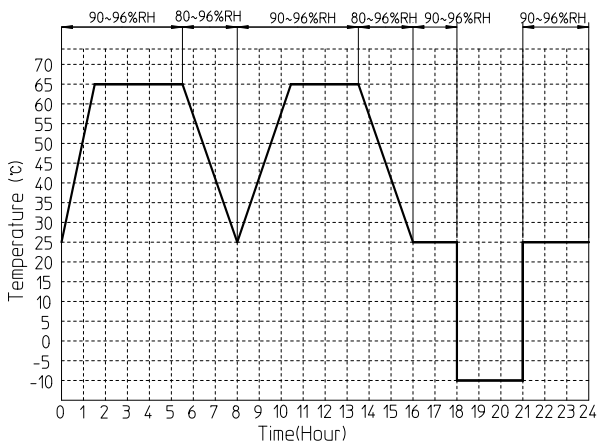


Fig 2. Reflow Profile

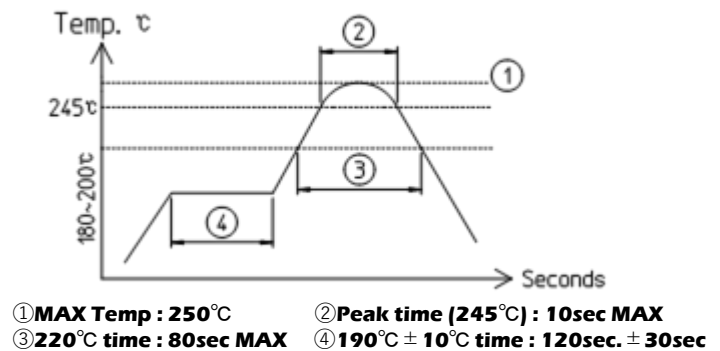
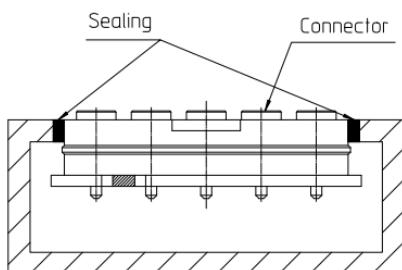


Fig 3. Test fixture for waterproof



- The specifications shown in this catalogue are subject to change without notice.
- Storage conditions: 35days max in room temperature