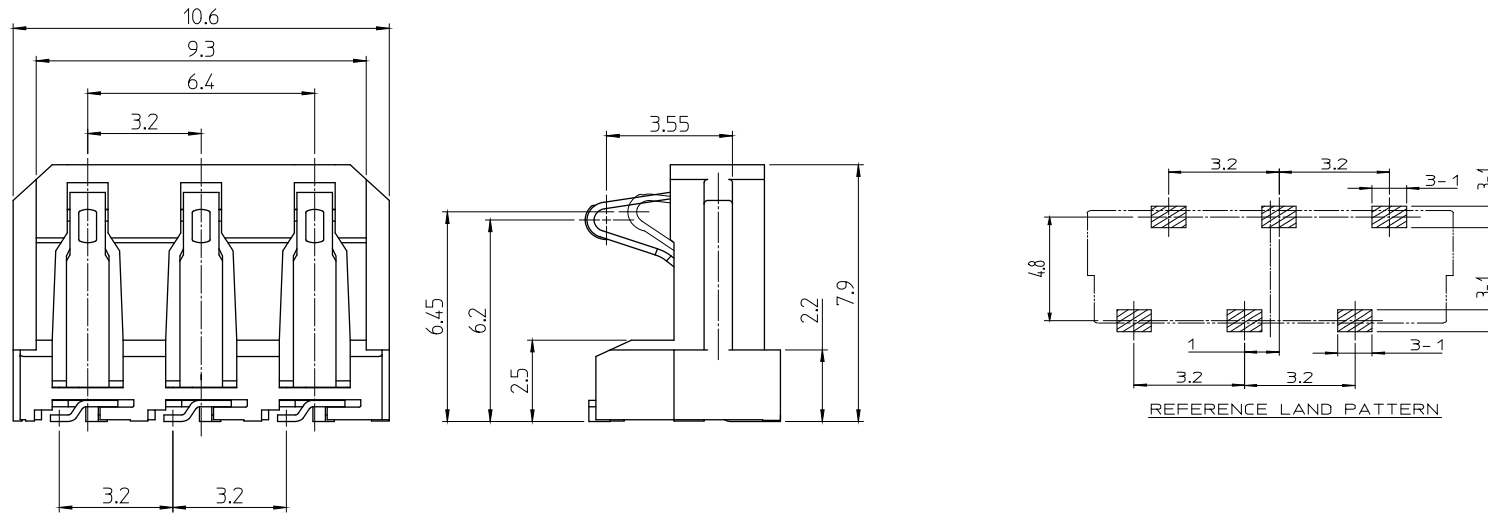


[U-series] Floating Battery Connector SMT



Number of Contact	Rated Current	Pitch	Floating Amount	Part Number
3pin	2A	3.2	± 0.4 (Pitch) ± 0.3 (Front-Back)	LSC-2724R62-3-32-0000