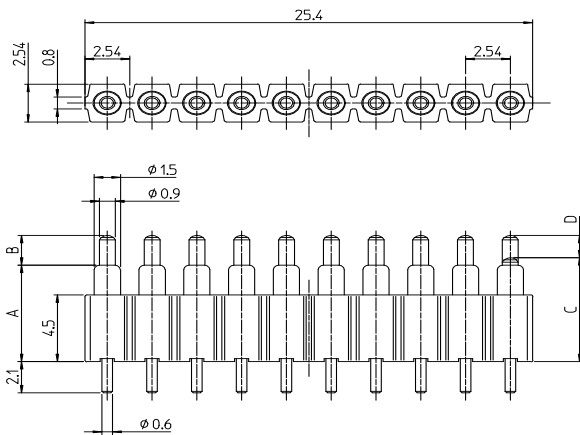


Through Hole Connector_10Pin_2.54mm Pitch_Through Hole Series

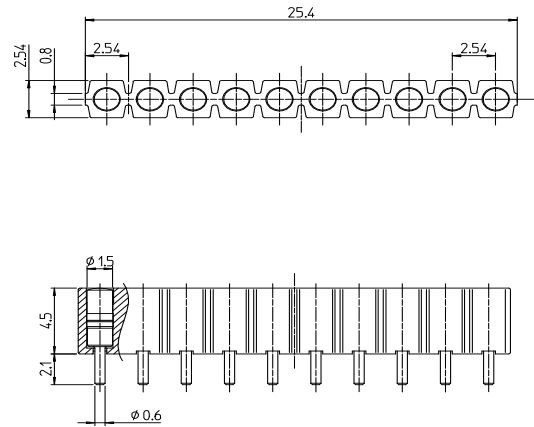
Basic Specifications

- Rated Current : 2A
- Rated Voltage : AC/DC12V
- Contact Resistance: 50mΩmax
- Operation Temp. : -40°C~+85°C
- Pin Force : 9.8N on a pin from any direction
- Cycle Durability: 20,000 times

Male Side



Female Side



Type	Working Height(mm)	Spring Force	Rated Current	Dim.					Part Number	
				A	B	C	D	E		
Male	4012	4.7	1.0N	2A	4.5	1.2	4.7	1.0	4.5	J-4012T-10-254-0000
	6020	7.0	1.0N	2A	6.5	2.0	7.0	1.5	4.5	J-6020T-10-254-0000
	7025	8.2	1.0N	2A	7.5	2.5	8.2	1.8	4.5	J-7025T-10-254-0000
Female	4000	-	-	2A	4.5	-	-	-	4.5	J-4000T-10-254-0000

Electrical Characteristic

- Rated Current : AC/DC 12V 2A**
- Contact Resistance : 50mΩ**
- Insulation Resistance : 100M Ω MIN**
- Dielectric Strength : 3mA (MAX) leakage**

Mechanical Characteristics

- Pin Force: 1.0N ± 0.2N**
- Pin Strength : 9.8N force on pin from any direction for 1min.**
- Pin Pulling Force : 4.9N force on a pin from axis direction for 1 min**

Other Characteristic

Operational Durability : 10,000 cycles

Low Temp. Durability : Store in temp. $-40^{\circ}\text{C} \pm 3^{\circ}\text{C}$ for 96 hours
then ,leaves in the ambient temp. for 1 hour

High Temp. Durability: Store in temp. $+85^{\circ}\text{C} \pm 2^{\circ}\text{C}$ for 96 hours
then ,leaves in the ambient temp. for 1 hour

Humidity Durability : Store in temp. $+60^{\circ}\text{C} \pm 2^{\circ}\text{C}$ with humidity of 90~95% for 96 hours

Temp. Cycle Test : Cycle 5 times (Table 1. shows test condition for 1cycle)
Leave in the ambient temp. for 1 hour.

Temp. And Humidity Cycle Test: 10 times of a cycle test based on JIS C60068-2-38

Anti-corrosion (Salt Water Spray) : The electrical performance shall measured after continuous spray of salt water with $5 \pm 1\%$ density and $35 \pm 2^{\circ}\text{C}$ temp. for 48 hours, cleaning with lukewarm water and dry, and leaving in ambient temperature for 1 hours

Vibration Test : Connect each connector pin in series, conducting current of 0.1A. After that the vibration described below is added.
* Amplitude 1.5mm
* Sweeping cycle 10~55~10Hz/minute,
* Duration of test: 2hours for each of X,Y,Z axis

Shock Test : Connect each connector pin in series, conducting current of 0.1A. After that , the shock described below is added.
* Accelerating rate: 490m/s^2
* Operating time of the test: 11ms
* The number of operating times: *3shocks at X,Y,Z axis both.
*In negative and positive direction.

Heat Resistance : The electrical performance shall be measured in ambient temperature after soldering in accordance with the reflow profile Fig 2.

- The specifications shown in this catalogue are subject to change without notice.
- Storage conditions: 35days max in room temperature

Table 1. Temperature Cycle

Step	Temperature($^{\circ}\text{C}$)	Time(minutes)
1	-40 ± 3	30 - 35
2	5 - 35	10 - 15
3	85 ± 2	30 - 35
4	5 - 35	10 - 15

Fig 1. Temp. and Humidity Cycle

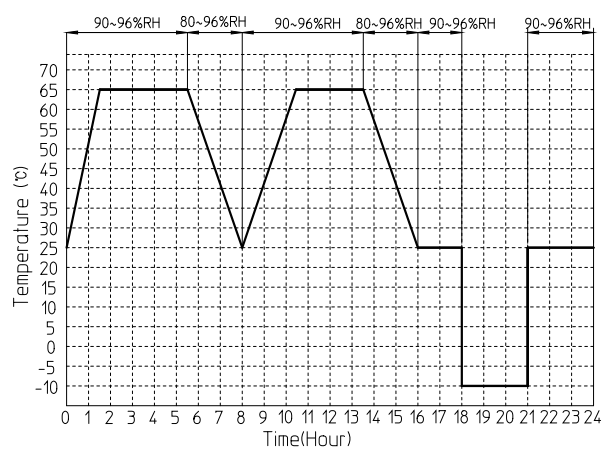
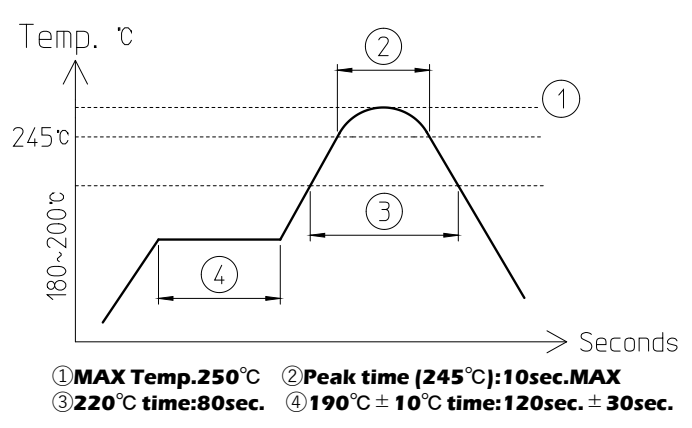


Fig 2. Reflow Profile



- ① MAX Temp. 250°C
- ② Peak time (245°C): 10sec. MAX
- ③ 220°C time: 80sec.
- ④ 190°C ± 10°C time: 120sec. ± 30sec.