

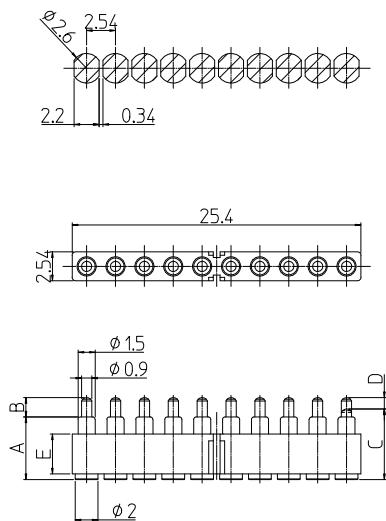
Yokowo SPRING LOADED CONNECTOR

Pogo Pin Connectors_10Pin/40Pin_2.54mm Pitch_SMD Vertical Series

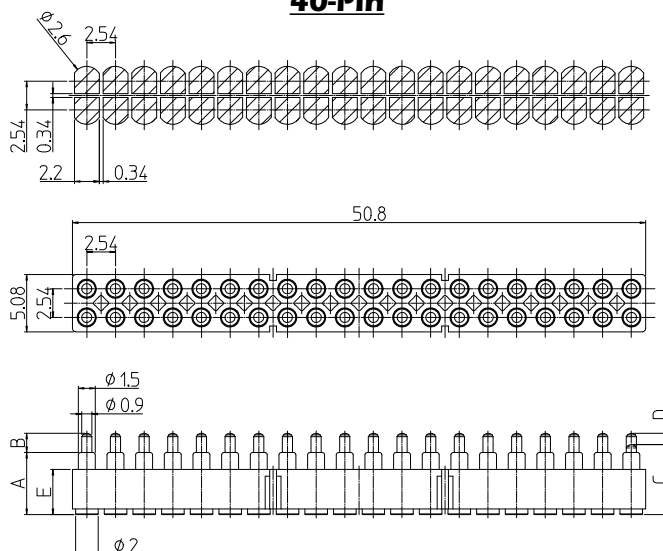
Basic Specifications

- Rated Current : 1A/2A
- Rated Voltage : AC/DC12V
- Contact Resistance: 50mΩmax
- Operation Temp. : -40°C~+85°C
- Pin Force : 9.8N on a pin from any direction
- Cycle Durability: 20,000 times

10-Pin



40-Pin



Type55		Working Height(mm)	Spring Force	Rated Current	Dim.					Part Number	
					A	B	C	D	E		
Male	10-Pin	4215	4.7	1.08N	4.2	1.5	4.7	1.0	4.0	J-4215S-10-254-0000	
	40-Pin			0.6N						1A	J-4215W-40-254-0000
	10Pin	4617	5.2	1.08N	4.6	1.7	5.2	1.1	4.0	J-4617S-10-254-0000	
	40-Pin			0.6N						1A	J-4617W-40-254-0000
	10-Pin	5117	5.7	1.08N	5.1	1.7	5.7	1.1	4.0	J-5117S-10-254-0000	
	40-Pin			0.6N						1A	J-5117W-40-254-0000
	10Pin	5517	6.1	1.08N	5.5	1.7	6.1	1.1	4.0	J-5517S-10-254-0000	
	40-Pin			0.6N						1A	J-5517W-40-254-0000
Female	10-Pin	-	-	-	2A	4.0	-	-	-	4.0	J-4000S-10-254-0000

Electrical Characteristic

Rated Current : AC/DC 12V 1A/2A(See Above Table)

Contact Resistance : 50mΩ

Insulation Resistance : 100M Ω MIN

Dielectric Strength : 3mA (MAX) leakage

Mechanical Characteristics

Pin Force: 0.6N ± 0.15N / 1.08N ± 0.25N (See Above Table)

Pin Strength : 9.8N force on pin from any direction for 1min.

Pin Pulling Force : 4.9N force on a pin from axis direction for 1 min

Electrical Characteristic

Rated Current : AC/DC 12V 2A
Contact Resistance : 50mΩ
Insulation Resistance : 100M Ω MIN
Dielectric Strength : 3mA (MAX) leakage

Mechanical Characteristics

Pin Force: 0.9N ± 0.2N / 1.08N ± 0.25N (See Above Table)
Pin Strength : 9.8N force on pin from any direction for 1min.

Other Characteristic

Operational Durability : 20,000 cycles

Low Temp. Durability : Store in temp. -40°C ± 3°C for 96 hours
then ,leaves in the ambient temp. for 1 hour

High Temp. Durability: Store in temp. +85°C ± 2°C for 96 hours
then ,leaves in the ambient temp. for 1 hour

Humidity Durability : Store in temp. +60°C ± 2°C with humidity of 90~95% for 96 hours

Temp. Cycle Test : Cycle 5 times (Table 1. shows test condition for 1 cycle)
Leave in ambient temp. for 1 hour.

Temp. And Humidity Cycle Test: 10 times of a cycle test based on JIS C60068-2-38

Anti-corrosion (Salt Water Spray) : **The electrical performance shall measured after continuous spray of salt water with 5 ± 1% density and 35 ± 2°C temp. for 48 hours, cleaning with lukewarm water and dry, and leaving in ambient temperature for 1hours**

Vibration Test : **Connect each connector pin in series, conducting current of 0.1A. After that the vibration described below is added.**
*** Amplitude 1.5mm**
*** Sweeping cycle 10~55~10Hz/minute,**
*** Duration of test: 2hours for each of X,Y,Z axis**

Shock Test : **Connect each connector pin in series, conducting current of 0.1A. After that , the shock described below is added.**
*** Accelerating rate: 490m/s²**
*** Operating time of the test: 11ms**
*** The number of operating times: *3shocks at X,Y,Z axis both.**
***In negative and positive direction.**

Heat Resistance : **The electrical performance shall be measured in ambient temperature after soldering in accordance with the reflow profile Fig 2.**

- **The specifications shown in this catalogue are subject to change without notice.**
- **Storage conditions: 35days max in room temperature**

Table 1. Temperature Cycle

Step	Temperature(°C)	Time(minites)
1	-40 ± 3	30 - 35
2	5 - 35	10 - 15
3	85 ± 2	30 - 35
4	5 - 35	10 - 15

Fig 1. Temp. and Humidity Cycle



Fig 2. Reflow Profile

