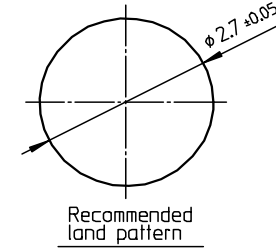
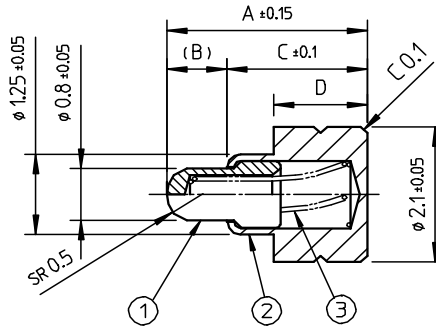
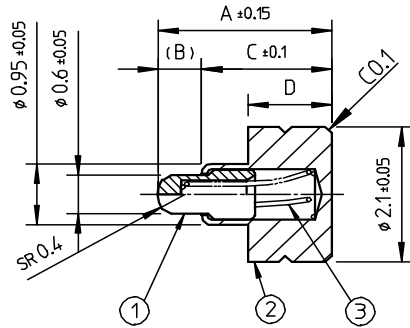


[J-series] 1pin Low Profile SMT



Type	Rated Current	A	B	C	D	Part Number
1907	0.5A	2.6	0.65	1.95	1.25	J-1907PU-1-00-0000
2007	0.5A	2.65	0.65	2.0	1.3	J-2007PU-1-00-0000
2109	0.5A	3.0	0.9	2.1	1.4	J-2109PU-1-00-0000